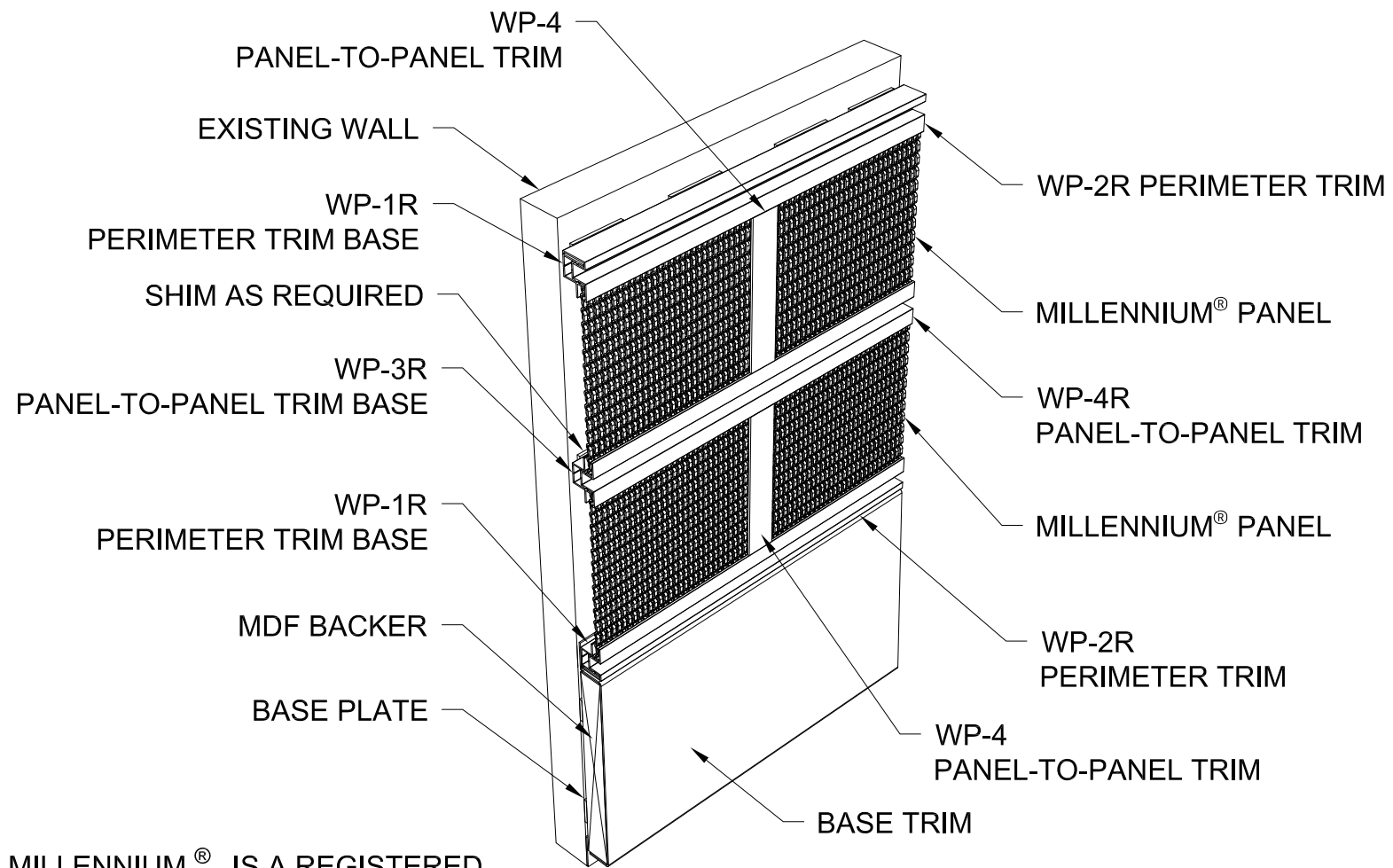


MILLENNIUM<sup>®</sup> IS A REGISTERED TRADEMARK OF GORDON, INC.

**GORDON**<sup>®</sup>  
ARCHITECTURAL+ENGINEERED SOLUTIONS

5023 Hazel Jones Rd.  
Bossier City, LA 71111  
800.747.8954  
GORDON-INC.COM  
sales@gordon-inc.com

WALLS / CLADDINGS  
BATTEN - WP RB  
ISOMETRIC BASE 4-WAY REVEAL

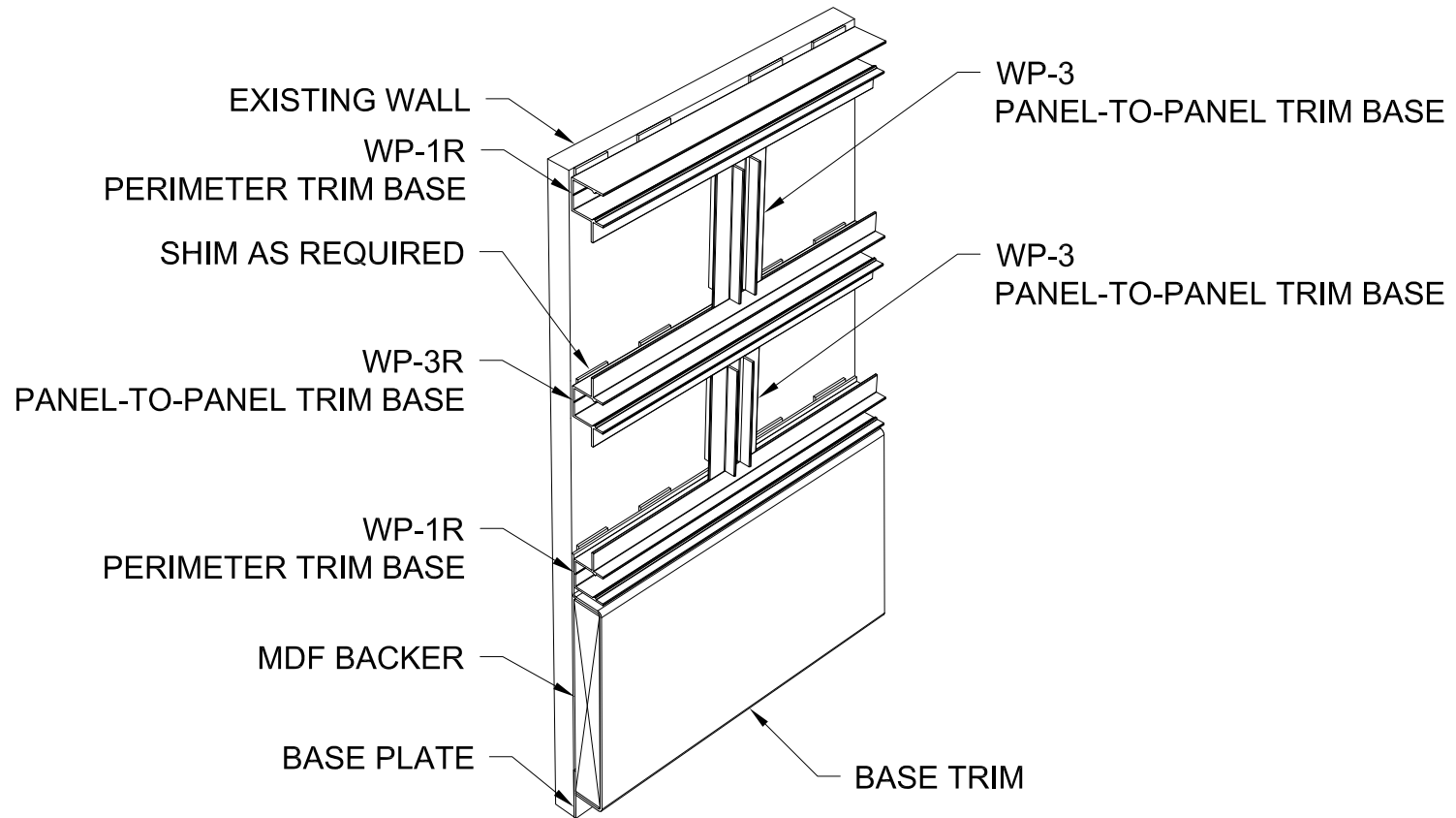


MILLENNIUM® IS A REGISTERED  
TRADEMARK OF GORDON, INC.

**GORDON**®  
ARCHITECTURAL+ENGINEERED SOLUTIONS

5023 Hazel Jones Rd.  
Bossier City, LA 71111  
800.747.8954  
GORDON-INC.COM  
sales@gordon-inc.com

WALLS / CLADDINGS  
BATTEN - WP RB  
ISOMETRIC HORIZONTAL REVEAL

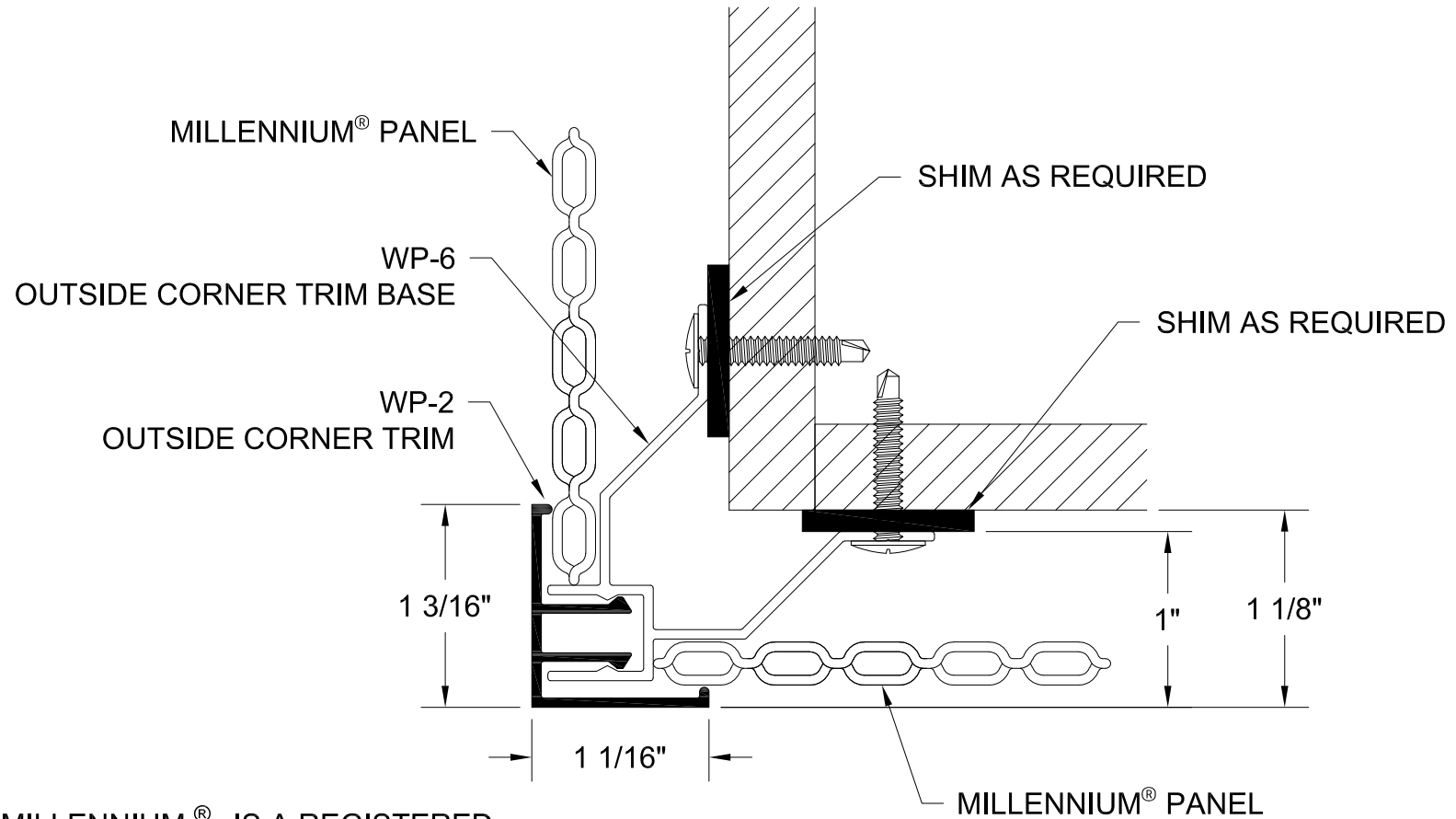


MILLENNIUM<sup>®</sup> IS A REGISTERED  
TRADEMARK OF GORDON, INC.

**GORDON**<sup>®</sup>  
ARCHITECTURAL+ENGINEERED SOLUTIONS

5023 Hazel Jones Rd.  
Bossier City, LA 71111  
800.747.8954  
GORDON-INC.COM  
sales@gordon-inc.com

WALLS / CLADDINGS  
BATTEN - WP RB  
ISOMETRIC BASE HORIZONTAL REVEAL

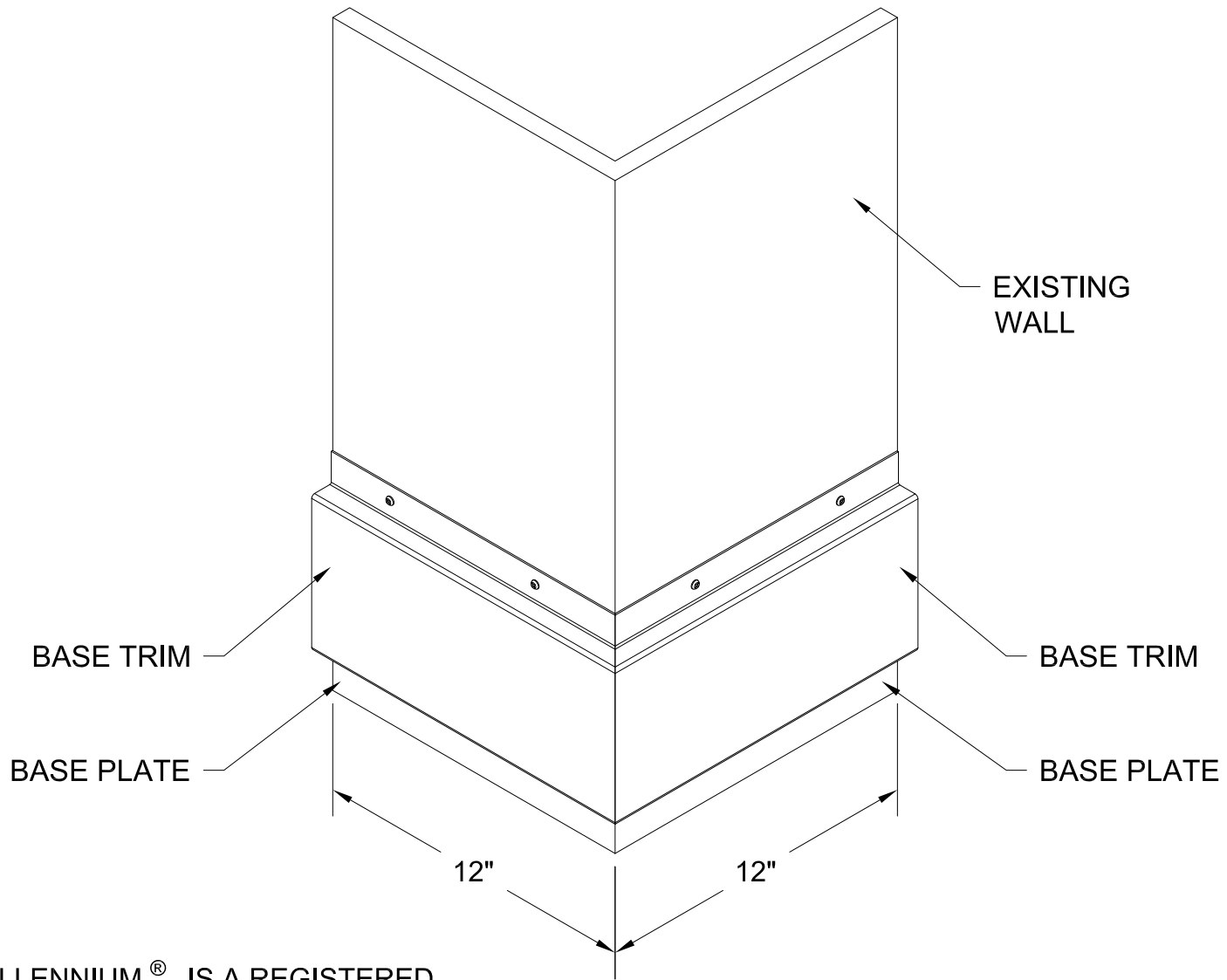


MILLENNIUM® IS A REGISTERED  
TRADEMARK OF GORDON, INC.

**GORDON**®  
ARCHITECTURAL+ENGINEERED SOLUTIONS

5023 Hazel Jones Rd.  
Bossier City, LA 71111  
800.747.8954  
GORDON-INC.COM  
sales@gordon-inc.com

WALLS / CLADDINGS  
BATTEN - WP RB  
OUTSIDE CORNER

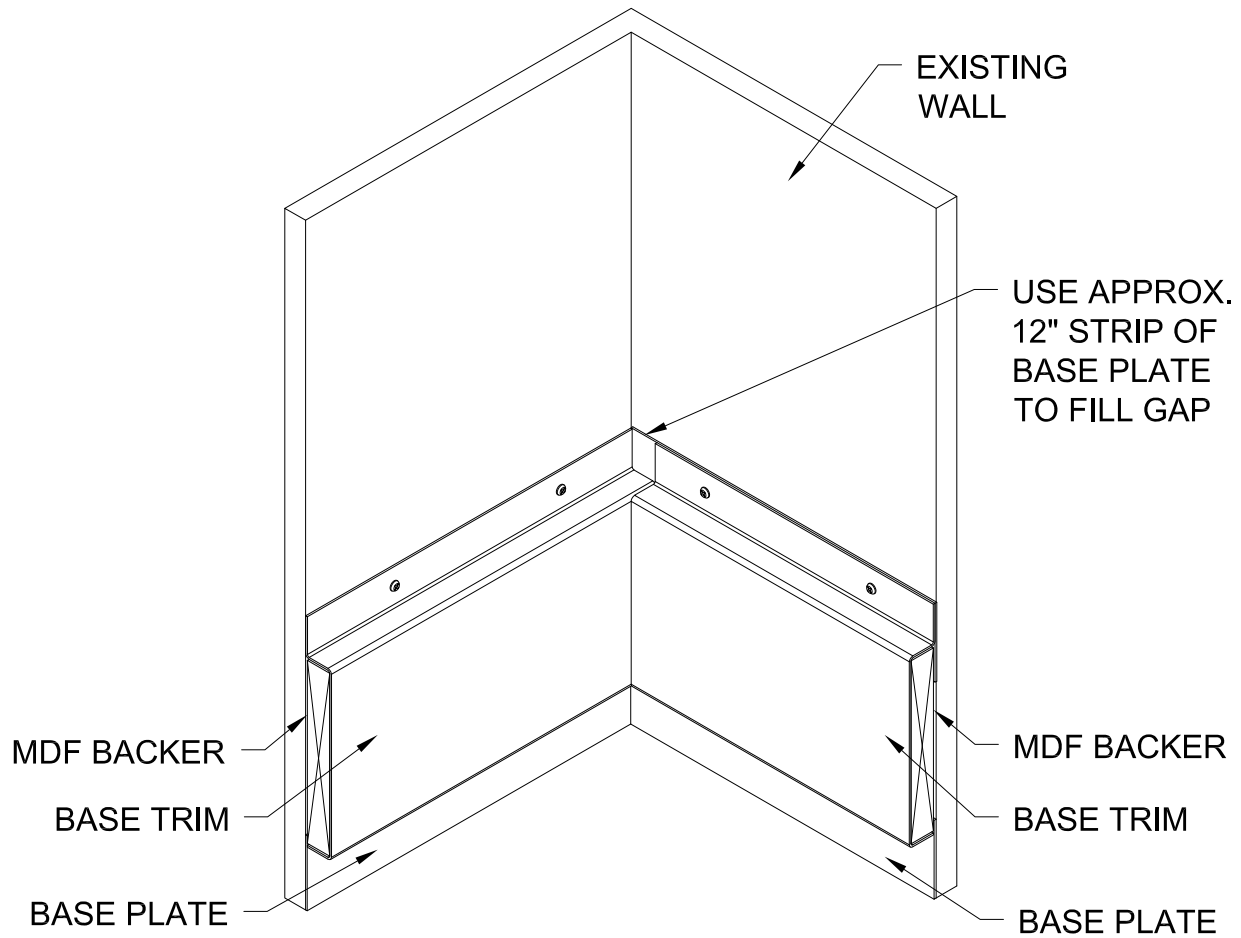


MILLENNIUM<sup>®</sup> IS A REGISTERED  
TRADEMARK OF GORDON, INC.

**GORDON**<sup>®</sup>  
ARCHITECTURAL+ENGINEERED SOLUTIONS

5023 Hazel Jones Rd.  
Bossier City, LA 71111  
800.747.8954  
GORDON-INC.COM  
sales@gordon-inc.com

WALLS / CLADDINGS  
BATTEN - WP RB  
BASE OUTSIDE CORNER ISO

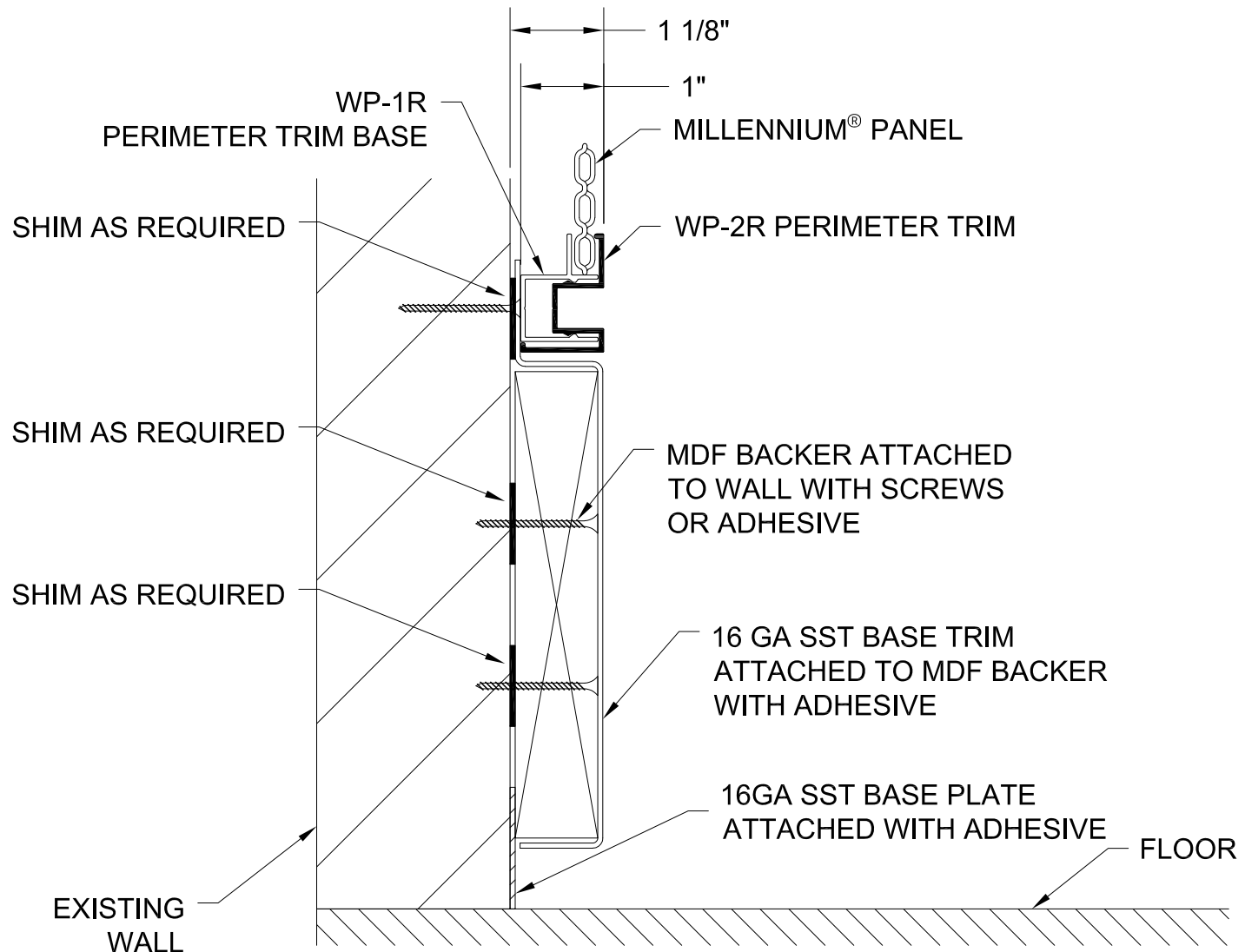


MILLENNIUM<sup>®</sup> IS A REGISTERED  
TRADEMARK OF GORDON, INC.

**GORDON**<sup>®</sup>  
ARCHITECTURAL+ENGINEERED SOLUTIONS

5023 Hazel Jones Rd.  
Bossier City, LA 71111  
800.747.8954  
GORDON-INC.COM  
sales@gordon-inc.com

WALLS / CLADDINGS  
BATTEN - WP RB  
BASE INSIDE CORNER ISO

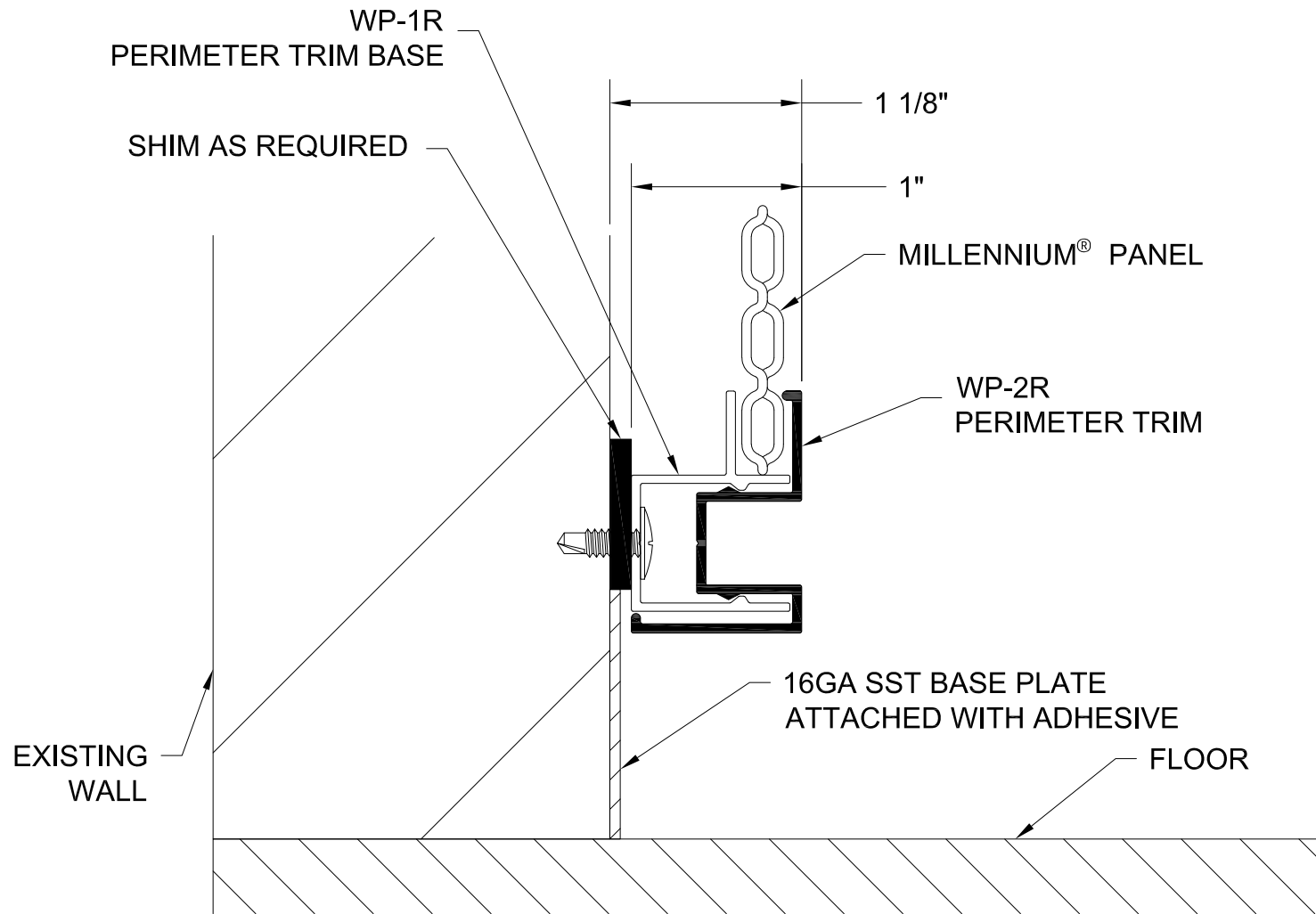


MILLENNIUM® IS A REGISTERED TRADEMARK OF GORDON, INC.

**GORDON**® ARCHITECTURAL+ENGINEERED SOLUTIONS  
 5023 Hazel Jones Rd.  
 Bossier City, LA 71111  
 800.747.8954  
 GORDON-INC.COM  
 sales@gordon-inc.com

**WALLS / CLADDINGS  
 BATTEN - WP RB  
 TYPICAL BASE SECTION**





MILLENNIUM® IS A REGISTERED TRADEMARK OF GORDON, INC.

**GORDON**® ARCHITECTURAL+ENGINEERED SOLUTIONS

5023 Hazel Jones Rd.  
Bossier City, LA 71111  
800.747.8954  
GORDON-INC.COM  
sales@gordon-inc.com

WALLS / CLADDINGS  
BATTEN - WP RB  
BASE PLATE WITH TRIM

WP-3R  
PANEL-TO-PANEL TRIM BASE

SHIM AS REQUIRED

MILLENNIUM® PANEL

1 13/16"

WP-4R  
PANEL-TO-PANEL TRIM

MILLENNIUM® PANEL

1"

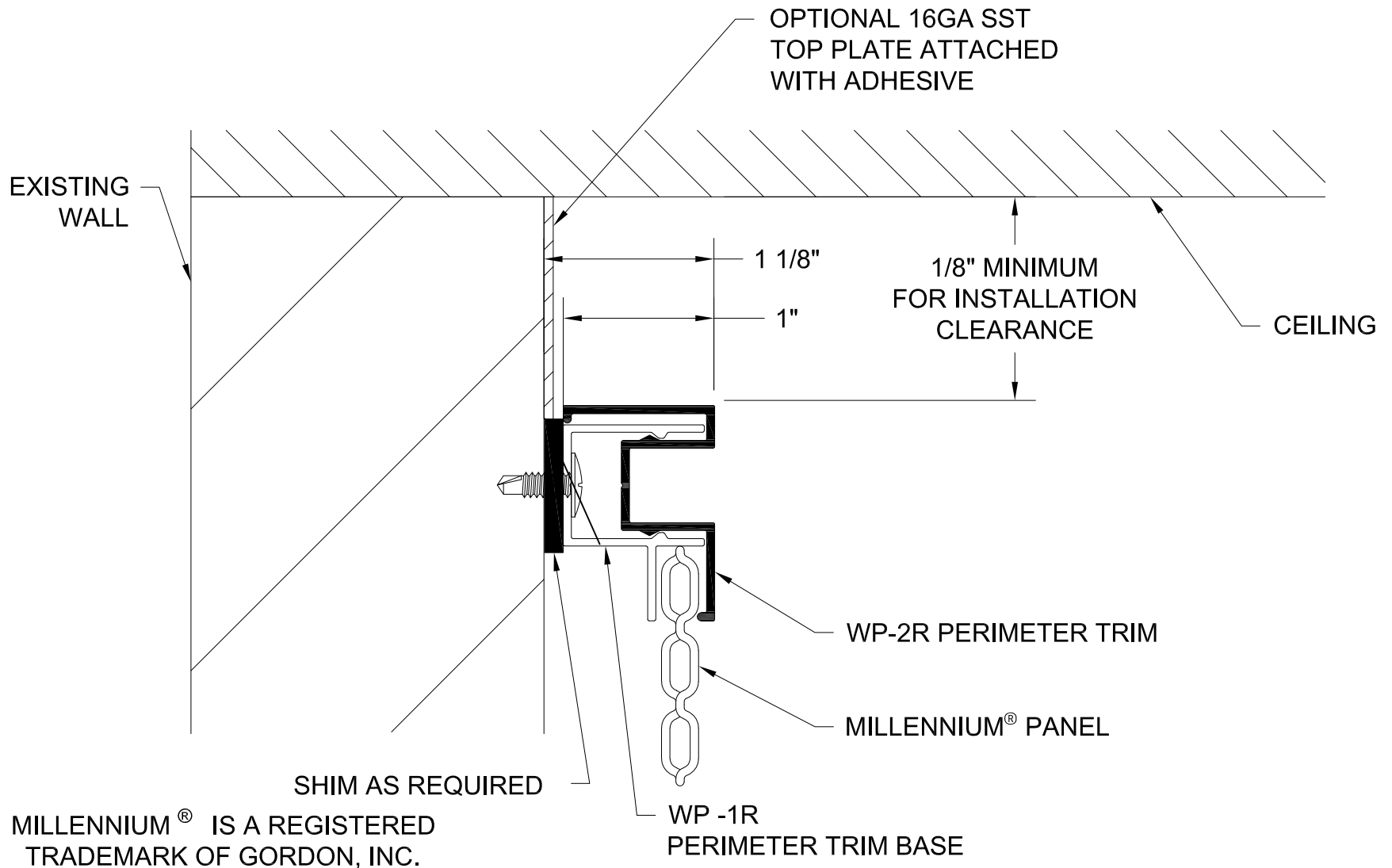
1 1/8"

MILLENNIUM® IS A REGISTERED  
TRADEMARK OF GORDON, INC.

**GORDON**®  
ARCHITECTURAL+ENGINEERED SOLUTIONS

5023 Hazel Jones Rd.  
Bossier City, LA 71111  
800.747.8954  
GORDON-INC.COM  
sales@gordon-inc.com

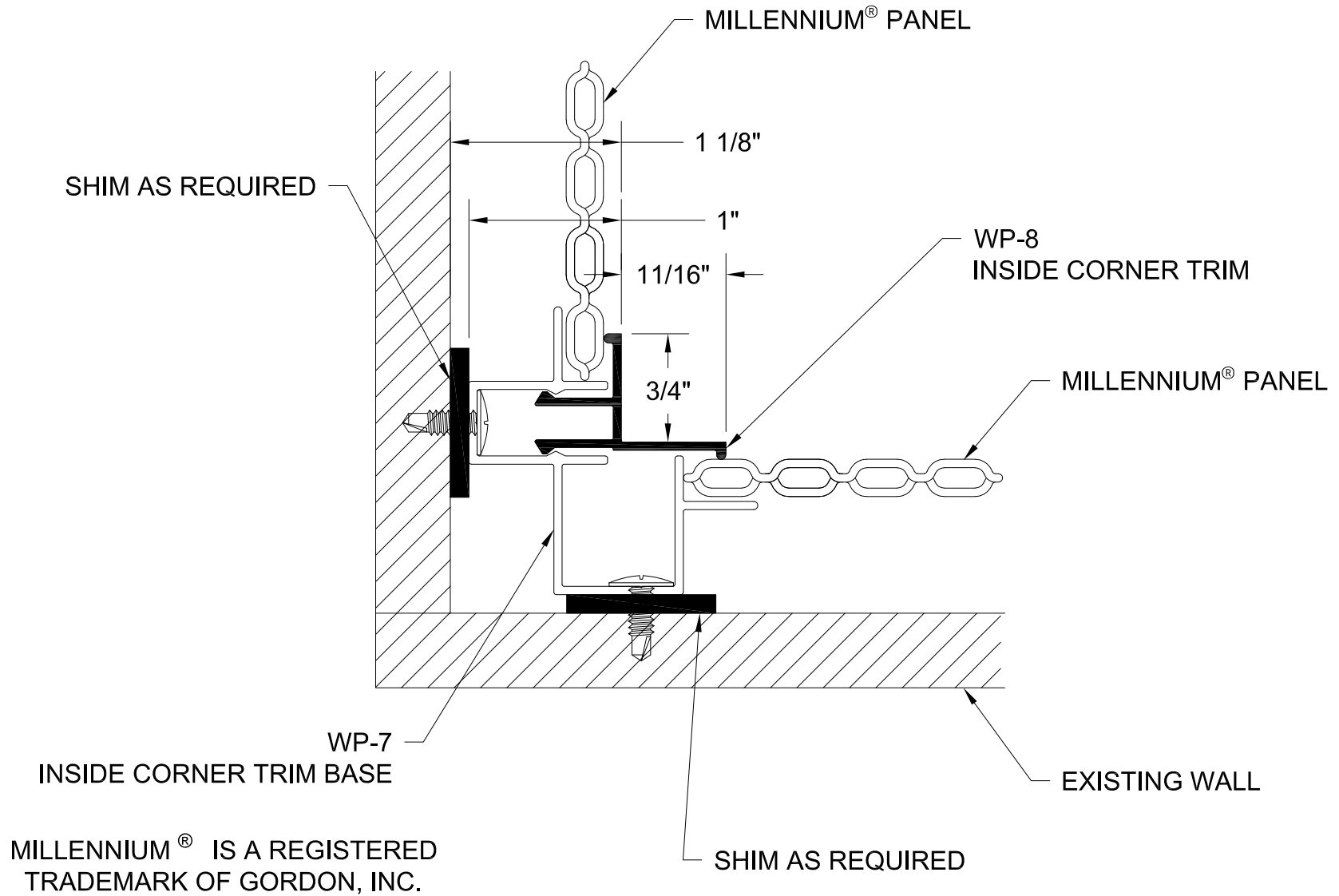
WALLS / CLADDINGS  
BATTEN - WP RB  
HORIZONTAL REVEAL

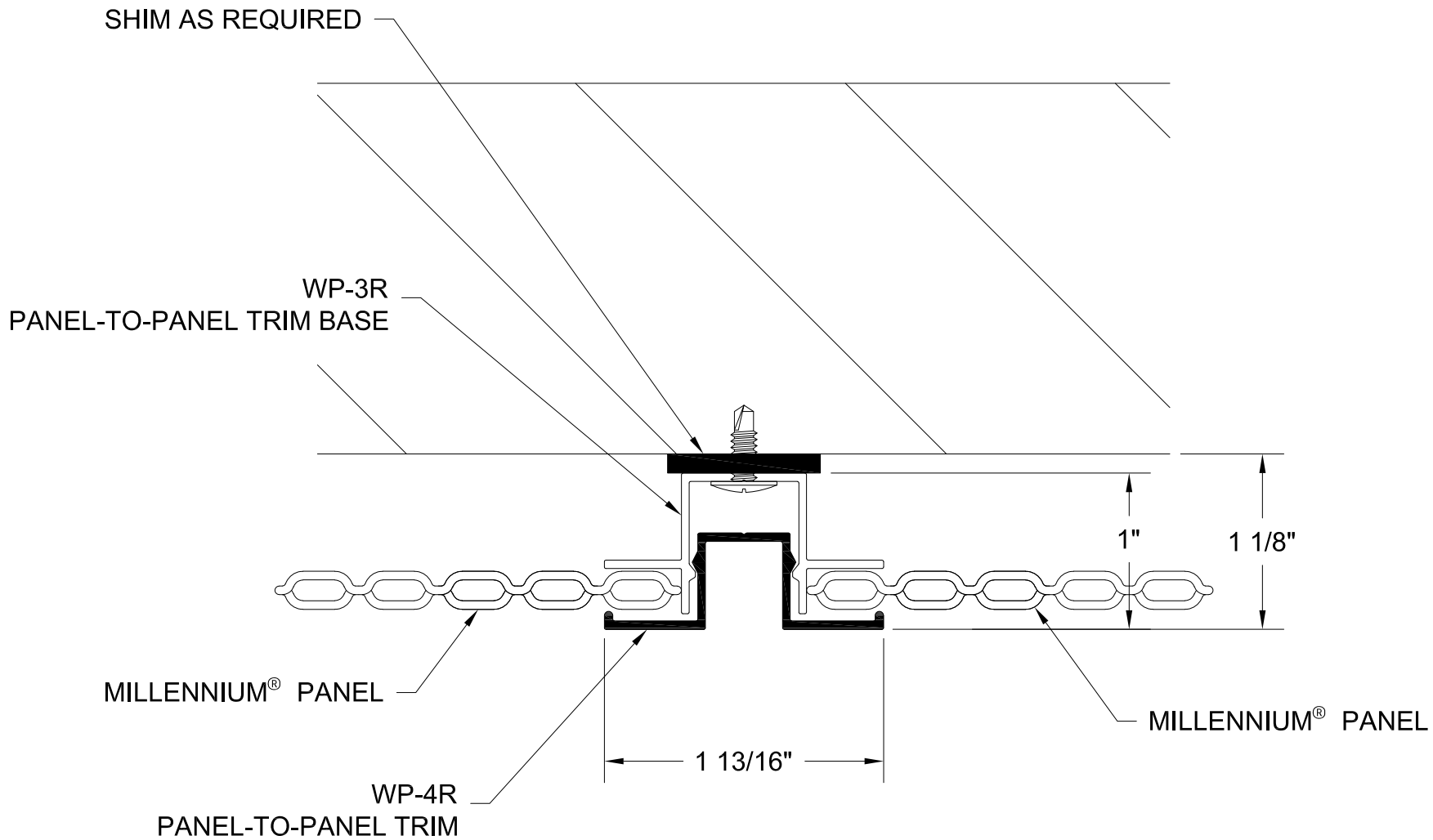


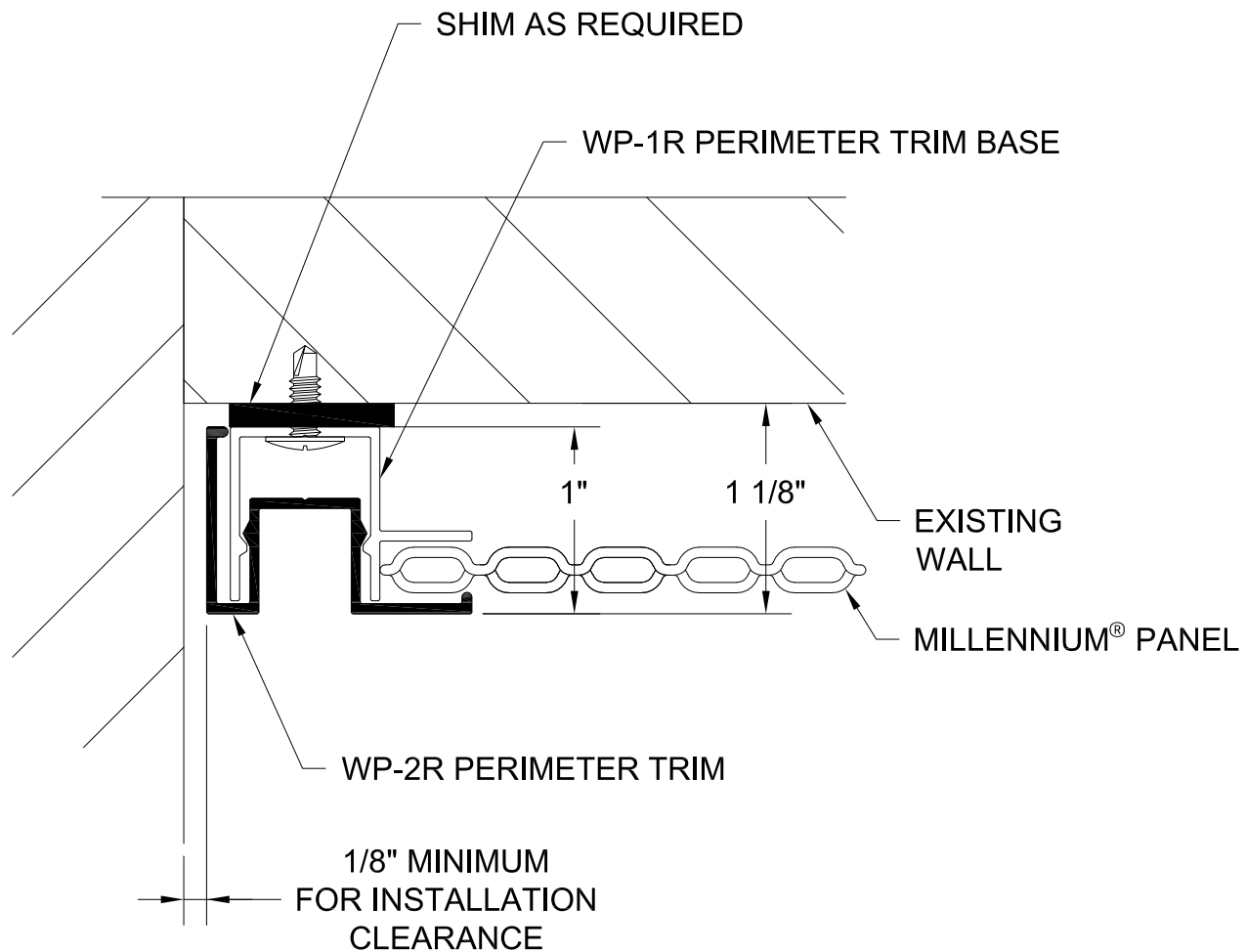
**GORDON**®  
ARCHITECTURAL+ENGINEERED SOLUTIONS

5023 Hazel Jones Rd.  
Bossier City, LA 71111  
800.747.8954  
GORDON-INC.COM  
sales@gordon-inc.com

WALLS / CLADDINGS  
BATTEN - WP RB  
WALL SECTION AT HEAD





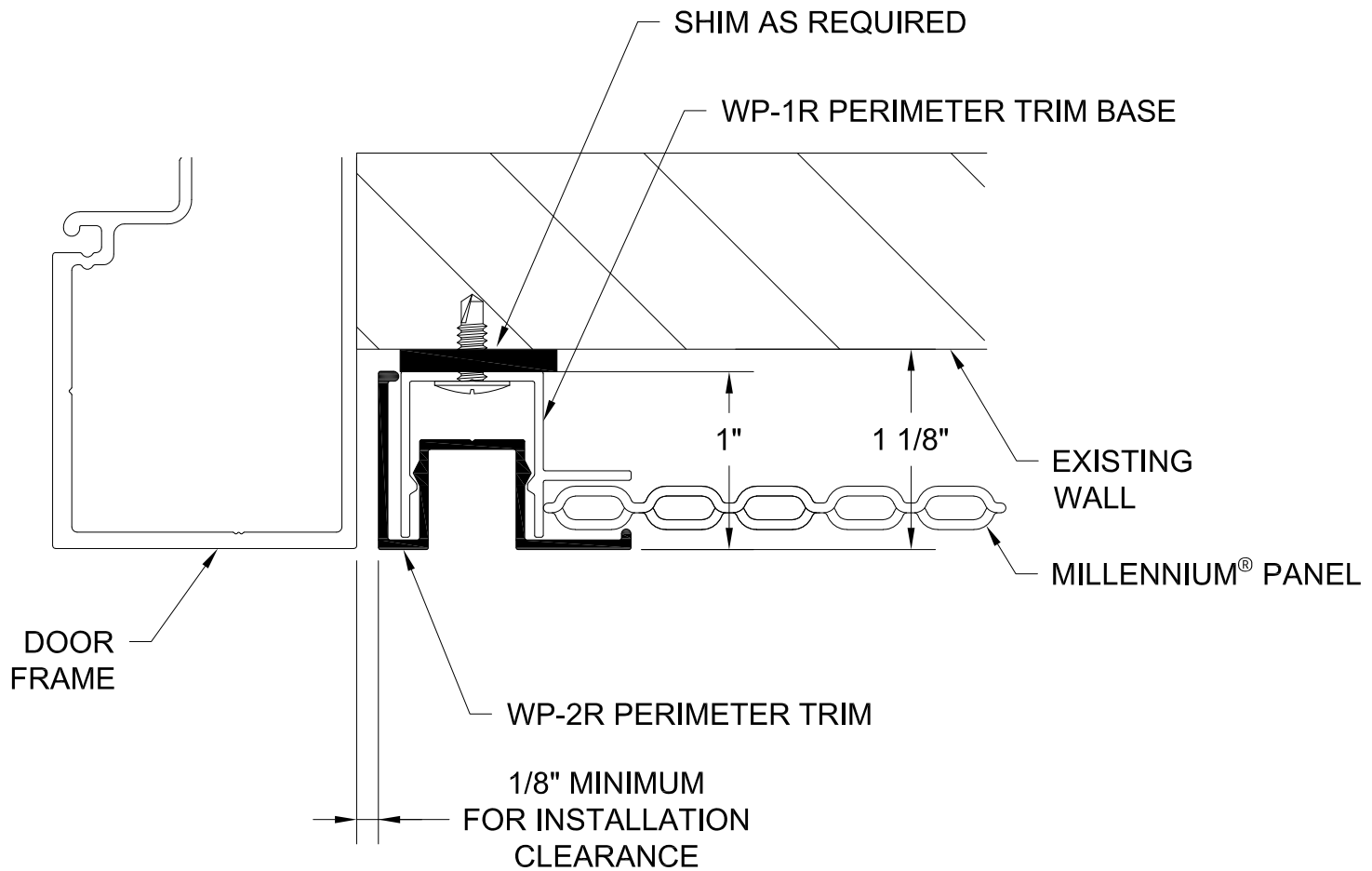


MILLENNIUM® IS A REGISTERED  
TRADEMARK OF GORDON, INC.

**GORDON**®  
ARCHITECTURAL+ENGINEERED SOLUTIONS

5023 Hazel Jones Rd.  
Bossier City, LA 71111  
800.747.8954  
GORDON-INC.COM  
sales@gordon-inc.com

WALLS / CLADDINGS  
BATTEN - WP RB  
WALL TERMINATION



MILLENNIUM® IS A REGISTERED  
TRADEMARK OF GORDON, INC.

**GORDON**®  
ARCHITECTURAL+ENGINEERED SOLUTIONS

5023 Hazel Jones Rd.  
Bossier City, LA 71111  
800.747.8954  
GORDON-INC.COM  
sales@gordon-inc.com

WALLS / CLADDINGS  
BATTEN - WP RB  
SECTION AT DOOR FRAME